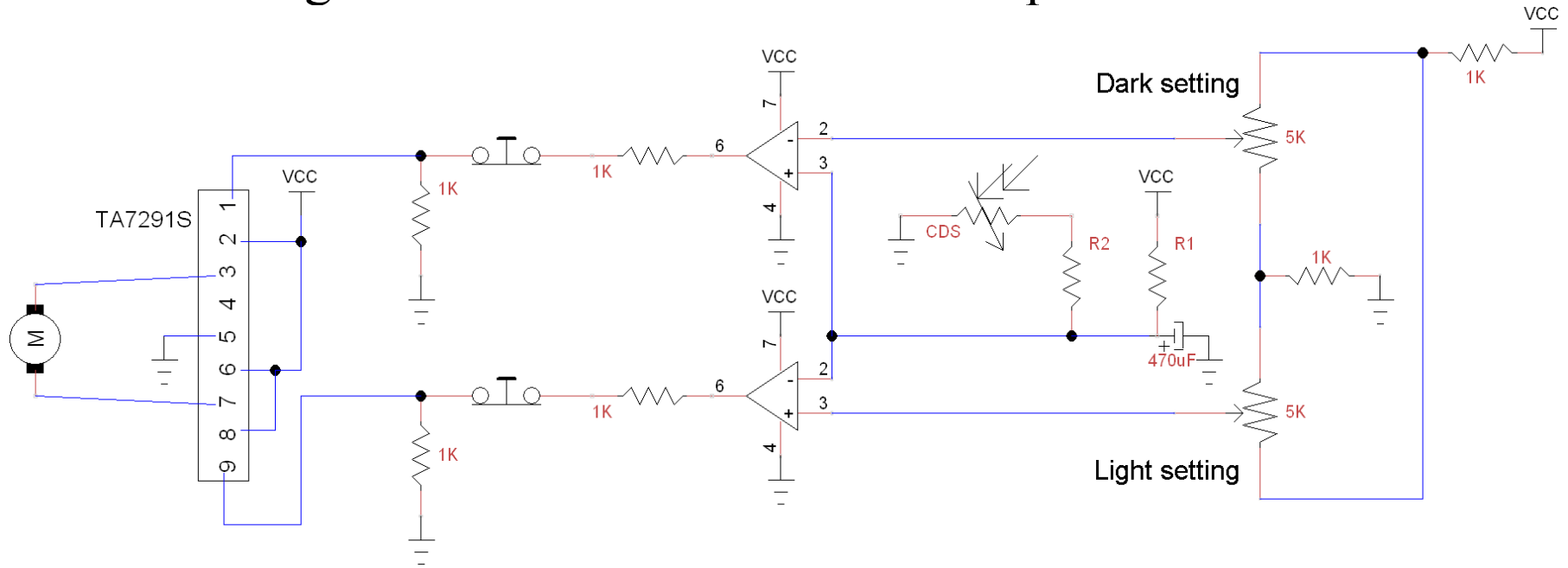


Light Activated Automatic Door Opener/Closer



TA7291S is a motor driver. Use any motor driver you want as long as it follows this truth table.

1	IN2
2	VCC
3	OUT2
4	Not Connected
5	Ground
6	Motor VCC
7	OUT1
8	Vref
9	IN1

INPUT		OUTPUT		MODE
IN1	IN2	OUT1	OUT2	
0	0	∞	∞	STOP
1	0	H	L	CW / CCW
0	1	L	H	CCW / CW
1	1	L	L	BRAKE

∞: High impedance

Regular op-amps are used, the two in the schematic are 741's. You can use a dual or quad instead, if you want.

The two normally-closed switches are put at the door limits.

The CDS is facing the sun or light you want to control the door.

VCC is 9 – 12 volts.

The circuit takes 2-4 milliamps not including the motor.

The capacitor is used to delay the change from the CDS. This is to prevent lightning from activating the circuit.